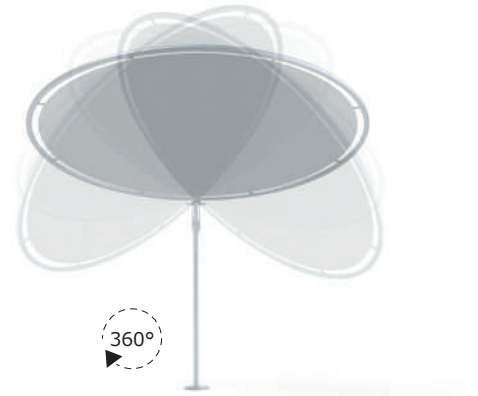


MODEL



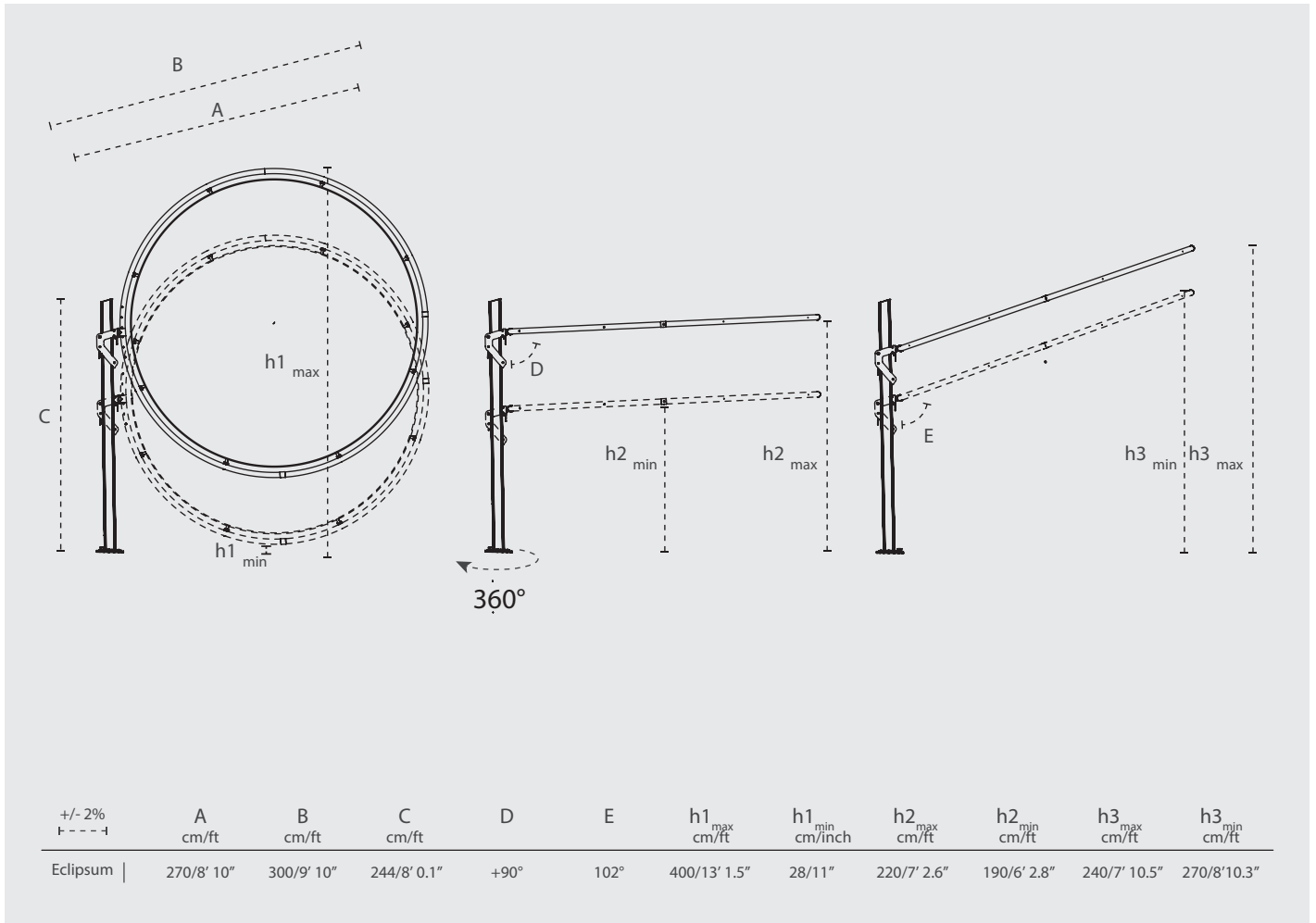
POSITIONS



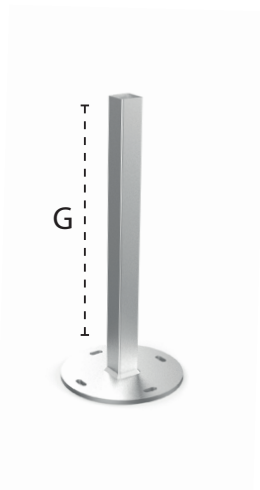
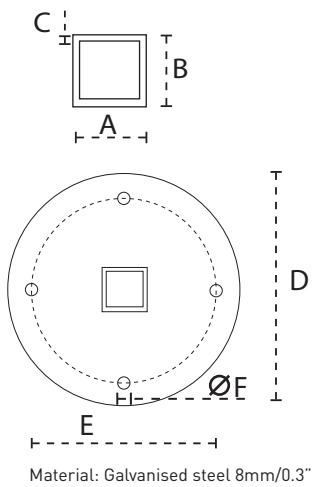
COLORS

	Marble	Curacao	Mint	Blush	Pepper	Almond	Sand	Blue Storm	Flanelle	Black
SUNBRELLA										
SOLIDUM					All colors of the Sunbrella fabric range furniture grade Solids' (no stripes or patterns) are available on special request with a minimum order quantity of 10 pcs. Contact Umbrosa for more information.					
	Natural	Canvas	Grey	Taupe						

DIMENSIONS



ROUND SUPPORT

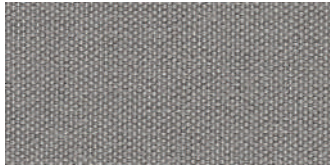


Geomet (marine grade)
coated steel 8mm/0.3"
Nylon 1mm/0.04"

	A mm/inch	B mm/inch	C mm/inch	D mm/inch	E mm/inch	F mm/inch	G mm/inch
Round support	40/1.57"	40/1.57"	3/0.12"	215/8.5"	170/6.7"	11/0.43"	490/17.3"

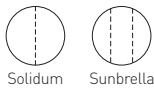
For non-permanent base options – see spec sheet Installation Options

MATERIALS



FABRIC

Solidum – 100% Acryl 255 gr/m²
 Sunbrella – 100% Acryl 260 gr/m²
 More details – see spec sheet Fabrics
 Confection Scheme:



Solidum Sunbrella



RIBS

Glass fiber Ø 6mm/0.23"



POLE

Naturally anodized aluminum



OTHER MATERIALS

Handle: stainless steel plate 316 (6mm/0.23")
 Hooks: Aluminum powder coated RAL 7074 TEC
 Ring fixation: stainless steel 316

For projects – consult Umbrosa for powder coating finish options (RAL).
 Contact us for the details on the MOQ.

PACKAGING & TRANSPORT

Eclipsum	L (cm)	W (cm)	H (cm)	Weight (kg)	L (")	W (")	H (")	Weight (lbs)
Umbrella box	247	40	48	50	8'1"	1'3"	1'7"	121

NICE TO KNOW

- Spare parts available
- Designed and manufactured in Belgium
- Warranty between 10 and 2 years, please consult our warranty policy at www.umbrosa.com
- Download owner's manual (QR-code included), also available at www.umbrosa.com
- Storage bag included (PU coated fabric)
- Wind speeds up to 5 beaufort, 30 km/h, 18 mph when base is permanently fixed
- Tested at TU Delft

SAFETY STATEMENTS & WARNINGS

- Product is suitable for light wind and/or light rain only.
- Position product in direction of wind as recommended in user manual.
- Do not use product in inclement weather, such as strong wind, thunderstorms, heavy rain or snow, and make sure that the umbrella is closed and stored in advance.
- Never allow the umbrella to flap in the wind. This could cause personal injury, damage to personal property, damage to umbrella and/or umbrella canopy.
- Close product and secure strap when not in use.
- Do not use product without its base or unless attached to building structure, and keep umbrella secured to umbrella base or mount at all times.
- Do not use product over or near harsh chemicals or open flames.
- Place product on stable and level surface.
- Do not allow children to assemble or operate product.
- Do not leave product unattended.
- Store product indoors during winter and extreme weather conditions.
- When adjusting or assembling the umbrella or umbrella base, make sure fingers, toes or any other parts of the body are clear from moving parts. Failing to do so may result in serious injury.
- Only use Umbrosa replacement parts.
- Read owner's manual.
- Any modifications to the product or failure to follow recommended care will void the warranty.
- Wind damage is not covered under our limited warranty.